

# JPIX "Updates"

Japan Internet Exchange Co., Ltd.



President & CEO  
Hiroshi Kobayashi

March, 2002

# Major IXs in Japan

## ◆ Internet Exchange(IX) started by WIDE in Japan

**NSPIXP**: Non commercial base and academic IX service has been operated by WIDE group.

- ◆ NSPIXP1            1994.4.1998
- ◆ NSPIXP2            1996.10.            (Tokyo/Otemachi)
- ◆ NSPIXP3            1997.3. (Osaka)

## ◆ Commercial base **JPIX** service has been operated by Japan Internet Exchange Co., Ltd. from Nov, 1997.

## ◆ Commercial base **JPNAP** service has been operated by Internet Multifeed Co., Ltd. from Feb, 2001.

## *Establishment of JPIX in July 1997*

- ◆ Necessity of **commercial IX**
  - Joint venture invested by main ISPs in Japan
  
- ◆ To provide reliable interconnection Environment
  - **24H / 365days** monitoring and operation
  - Collocation service
  
- ◆ To provide value added services
  - Statistics for customer traffic
  - Route Server/Route Registry
  - NTP Server
  
- ◆ Contribution to Internet Community

# Outline of JPIX (1)

- ◆ Date of Establishment: 10 July, 1997
- ◆ Headquarters: 19F, KDDI Otemachi Building, 1-8-1  
Otemachi, Chiyoda-ku, Tokyo, Japan
- ◆ Capital: 298,000,000 Yen
- ◆ Shareholders:

KDDI

JENS

Sony Communication Net.

Tokyo Internet

NEC

Fujitsu

IRI

Japan Cisco

AsahiNet

OMP

TTNet

Japan Telecom

MIND

AboveNet .....

RIIS

## *Outline of JPIX (2)*

◆ CEO : Hiroshi Kobayashi (KDDI)

◆ Board of Director :

Mizuho Takai (JENS)

Masao Kikuchi (Sony)

Toru Takahashi (Tokyo Internet)

Mitsuo Takahashi (NEC)

Nobuo Sakata (Fujitsu)

Masayoshi Akimoto (Japan Cisco)

Dai Nishino (IRI)

Toru Fushimi Director of Sales

◆ Technology Advisor:

Professor Jun Murai, Keio University

# Services by JPIX

## ◆ IX ports

- Gigabit Ethernet port (1Gbps)
- Fast Ethernet port (100Mbps)
- FDDI port (100Mbps)
- Shared Port (20Mbps)

## ◆ Remote access

ATM, FE, GbE, Dark Fiber

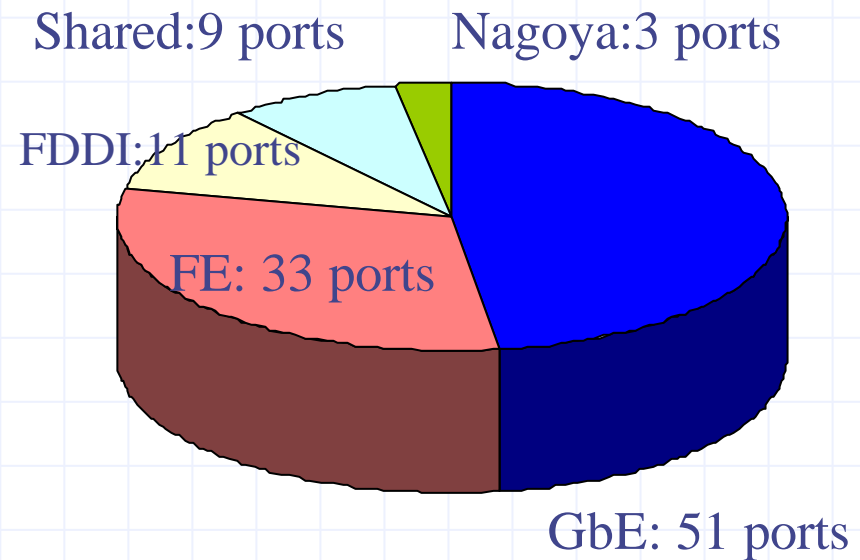
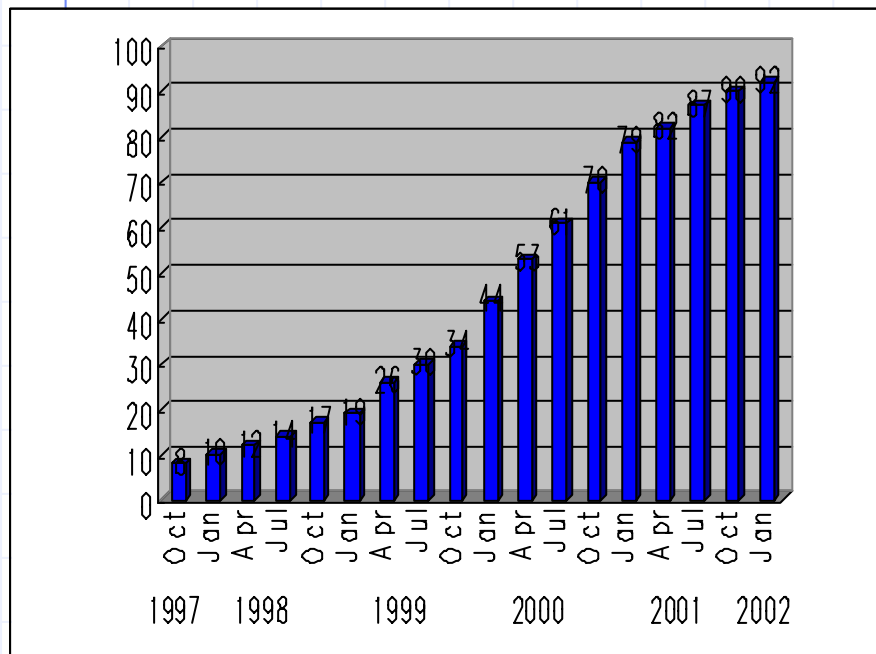
## ◆ Collocation Service

To provide a full rack for customer ISPs routers

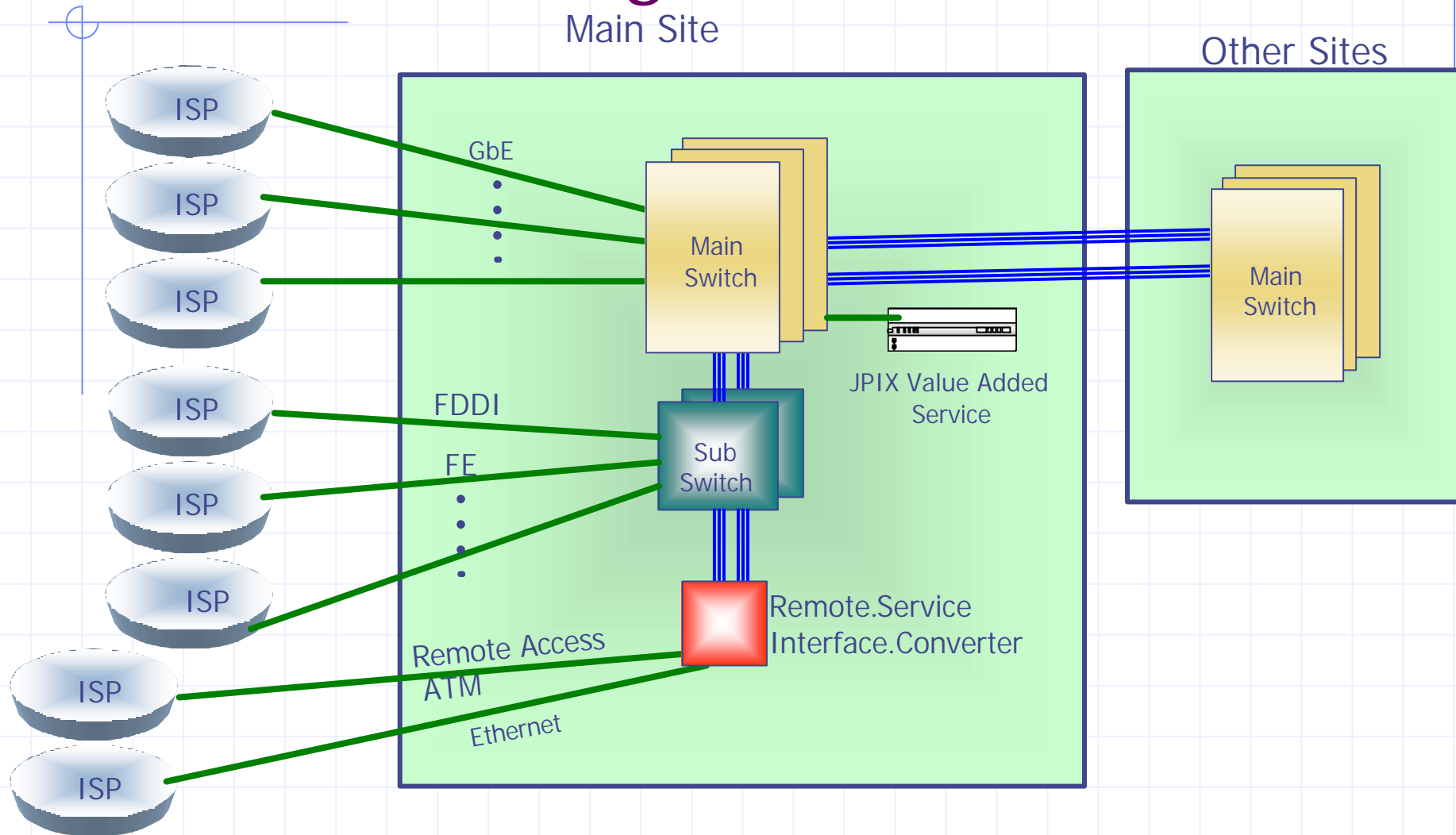
## ◆ In-house cabling

# JPIX Customers *(as of Feb. 2002)*

- ◆ No. of customer ISPs : 92
- ◆ No. of ports connected : 107



# Network Configuration



March, 2002

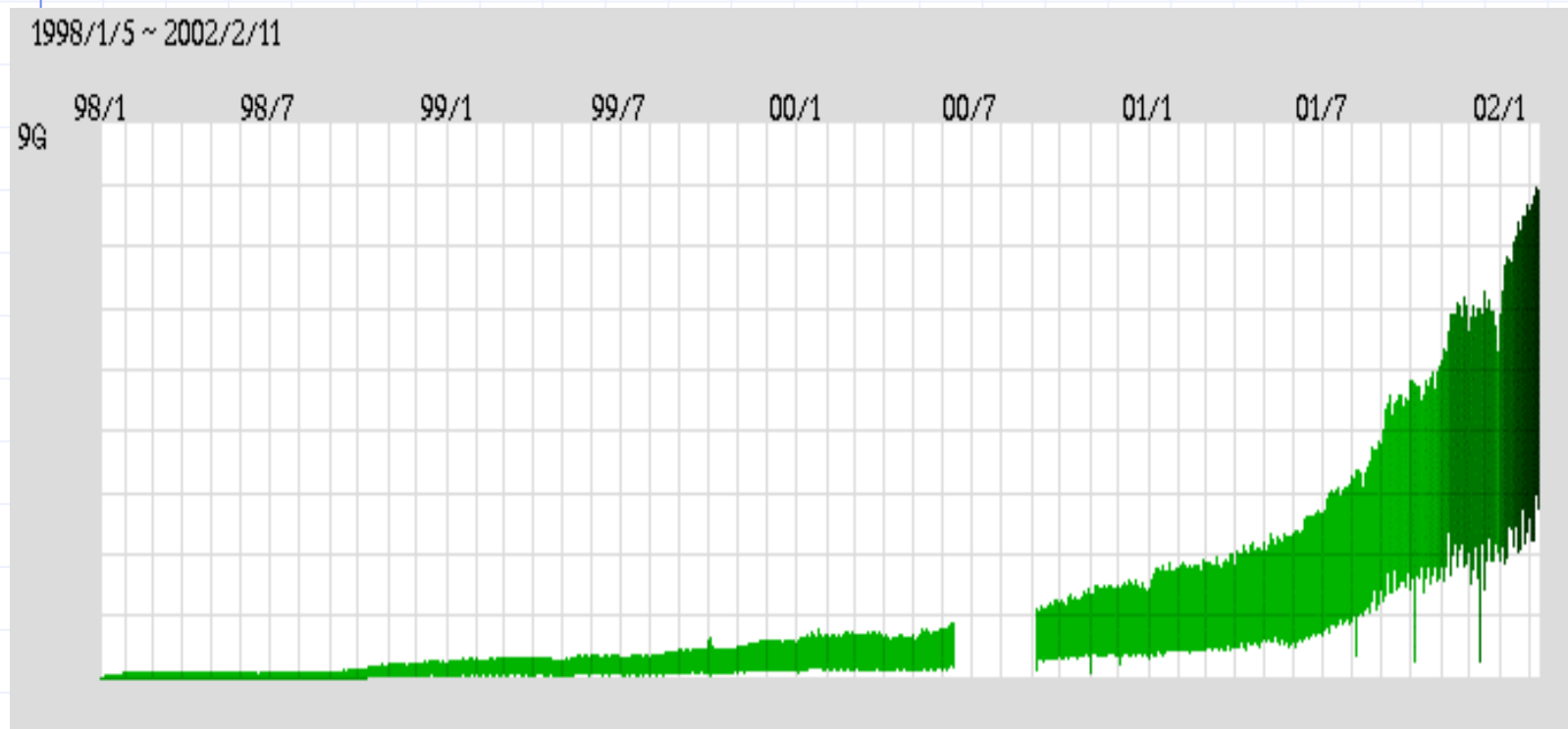
Copyright (C) 2002 All rights reserved by Japan Internet Exchange Co. Ltd.



# Traffic Volume

IX backplane Max/Min Traffic

2002.2.11



March, 2002

Copyright (C) 2002 All rights reserved by Japan Internet Exchange Co. Ltd.

# Expansion of JPIX

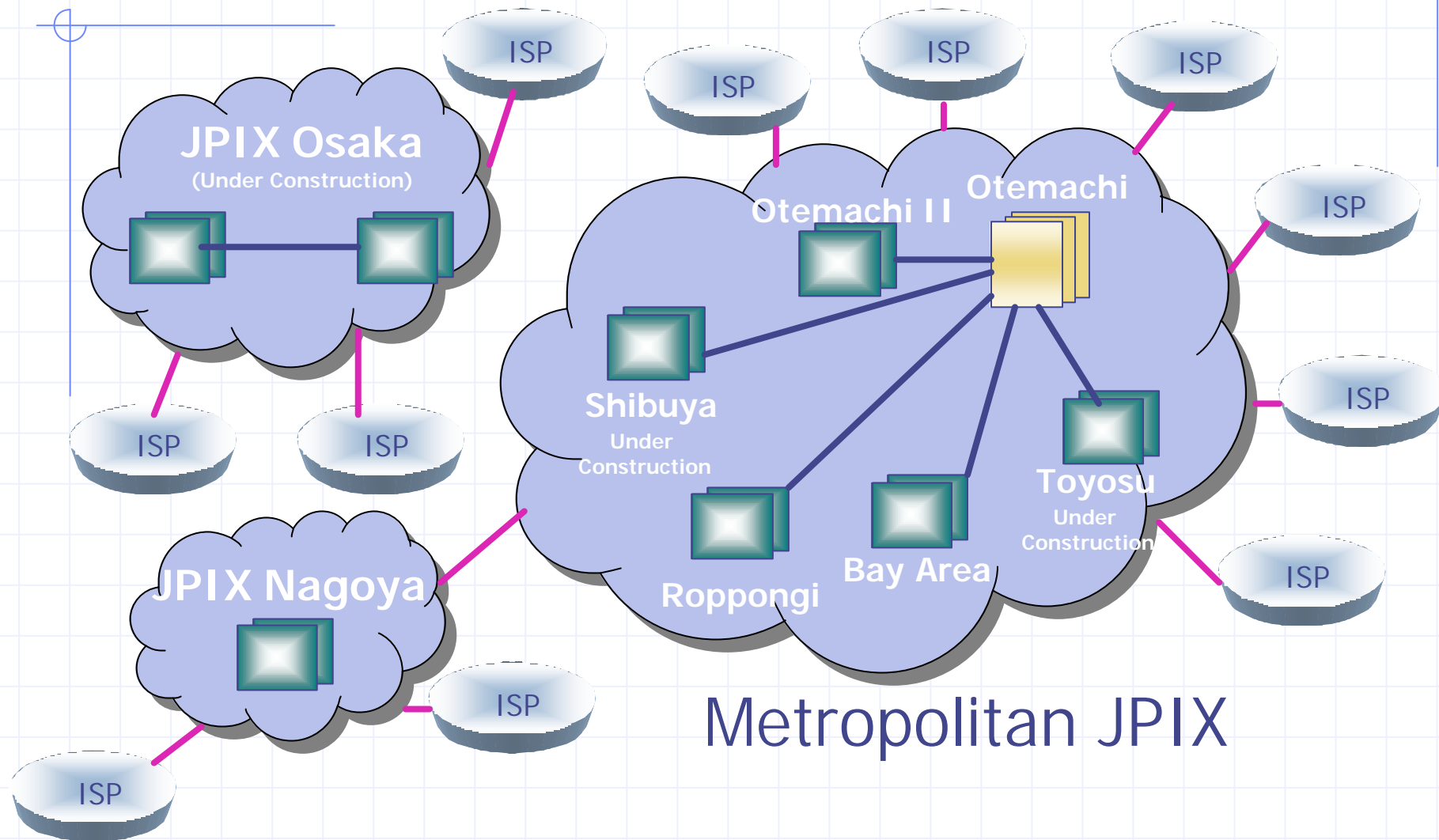
## ◆ Metropolitan JPIX

- To install IX switches in metropolitan area as distributed IXs
- JPIX BayArea: from December, 2000
- JPIX Otemachi II: from November, 2001
- JPIX Roppongi: from February, 2002
- JPIX Toyosu: from May, 2002 (planned)
- JPIX Shibuya: from July, 2002 (planned)

## ◆ Regional JPIX

- To install a local IX switch and/or a circuit concentrator connected to Metropolitan JPIX
- JPIX Nagoya: from April, 2001
- JPIX Osaka: from April, 2002 (planned)

# Expansion of JPIX



## Metropolitan JPIX

March, 2002

Copyright (C) 2002 All rights reserved by Japan Internet Exchange Co. Ltd.

# IPv6-IX Experimental Service

## ◆ PLANS

- Experimental service period: from Jan, 2002 to Jan, 2003
- Commercial service: from Feb, 2003 (subject to change)

## ◆ Service Conditions

- Port Charge: free
- For JPIX customers only
- Port I/F: First Ethernet
- IPv6 IP address: assigned by APNIC
- SW location: KDDI Otemachi

# Challenges

- ◆ To handle very rapidly growing Broadband traffic
  - To introduce 10GbE SW, MPLS-IX, and Optical SW in the near future
  
- ◆ To decentralize IP traffic from Tokyo for greater resilience
  - To make JPIX Osaka as a National IX, gathering IP traffic from major ISPs

Thank you

**jp****ix**

[info@jpix.co.jp](mailto:info@jpix.co.jp)

<http://www.jpix.co.jp>

March, 2002