

NZ Registry Services Update

p: (+64) (4) 931 6977 e: registry@nzrs.net.nz

f: (+64) (4) 931 6979 w: www.nzrs.net.nz

P.O. Box 24361, WELLINGTON, NEW ZEALAND

NEW ZEALAND DOMAIN NAME REGISTRY LIMITED



History of NZRS

- ④ Hine Report defined the .nz model
- ④ May 2002 NZRS Established
- ④ October 2002 SRS live 1 Registrar, 116,000 names
- ④ February 2004 44 registrars, 145,500 names

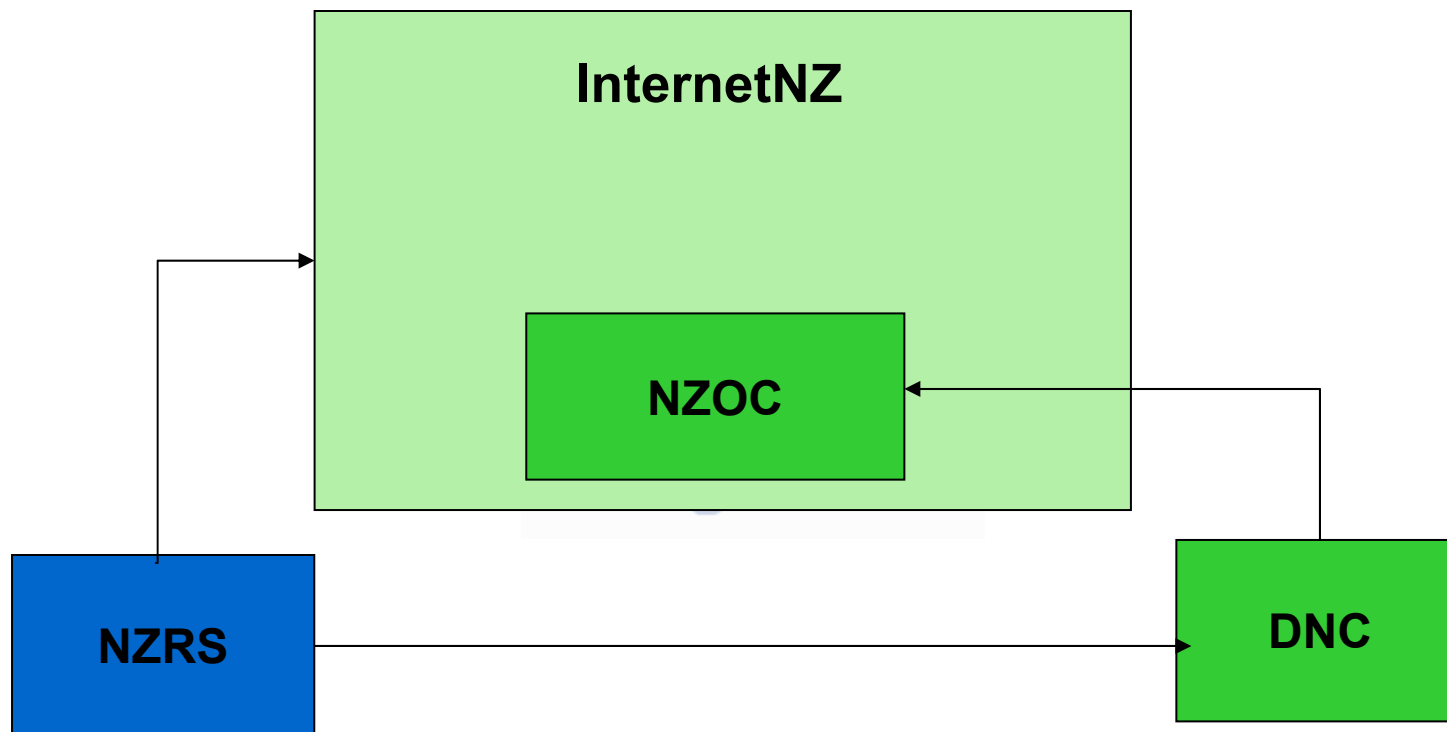
The .nz Domain Name Space

- ④ No legislation covering the .nz domain name space
- ④ .nz domain name space operates as a Shared Registry System (SRS)
- ④ Authorised registrars have access to the register and full responsibility over their domain names
- ④ The SRS is governed by a series of .nz policies and procedures and formal agreements

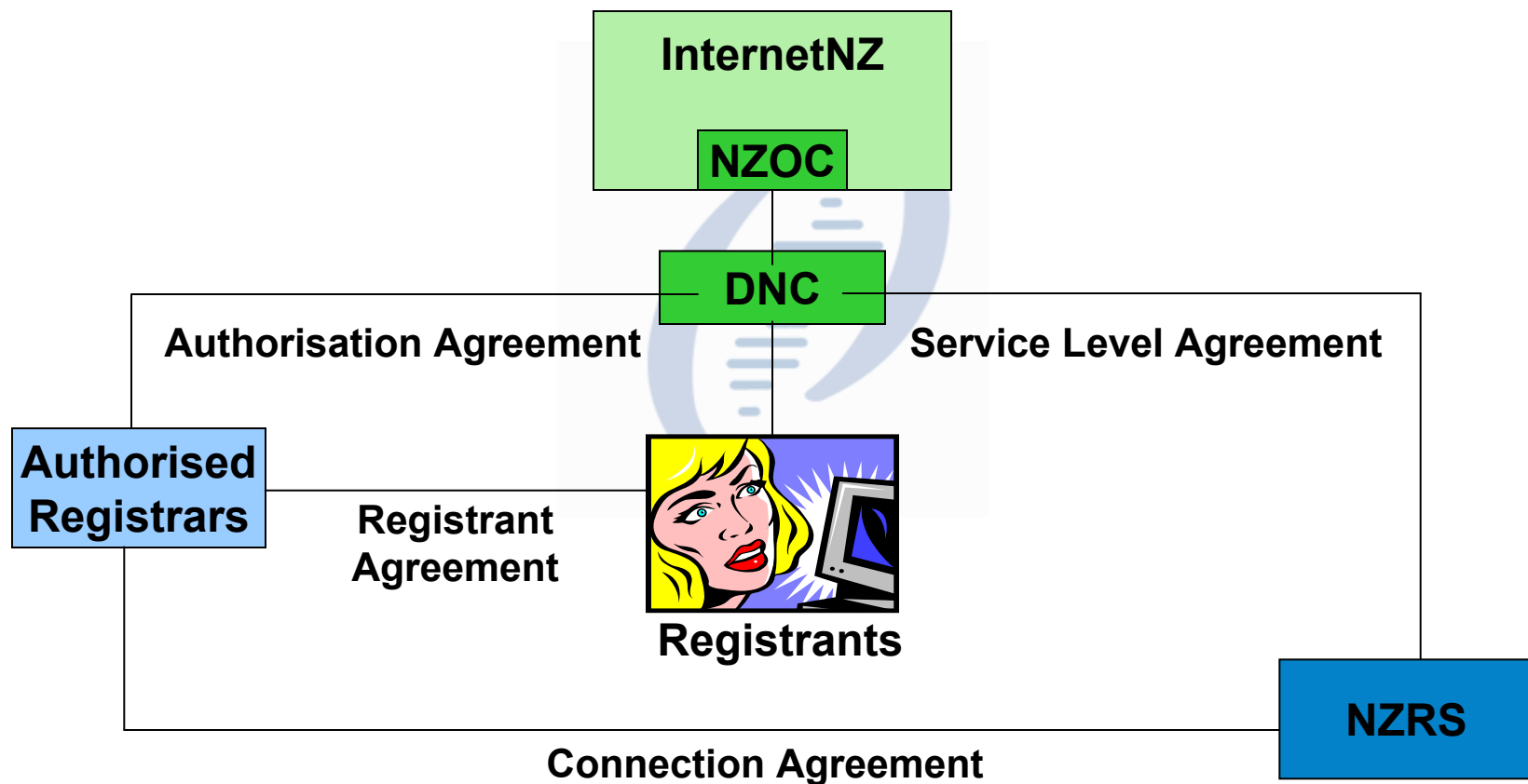
Who looks after .nz

- ❧ InternetNZ – delegated responsibility for .nz
- ❧ .nz Oversight Committee (NZOC) – sub-committee of InternetNZ with oversight of .nz operation
- ❧ Office of the Domain Name Commissioner (DNC) – an operational office of InternetNZ
- ❧ NZRS – Subsidiary company of InternetNZ responsible for operating the .nz register

How they fit together.....



The .nz Domain Name Space



Office of the DNC

Responsibilities include:

- ④ Authorising registrars
- ④ Monitoring compliance with .nz policies and procedures
- ④ Developing policies and procedures under the oversight of NZOC

DNC responsibilities contd

- ④ Handling complaints that arise in the operation of the .nz market
- ④ Protecting the rights and relationships of all parties in the .nz market
- ④ Monitoring the performance of NZRS against the Service Level Agreement (SLA)
- ④ Convening a Registrar Advisory Group

Key features of the .nz SRS

- ④ Registrant focused
 - ④ Transfer at any time for no cost (except during registration grace period)
 - ④ Registrars must provide the UDAI to allow transfer
 - ④ Full period of registration must be recorded on the register
 - ④ Operates on an automatic renewal function
 - ④ Restrictions on when a domain name can be cancelled

Key features contd

- Registrant focus (contd)
 - ④ 90 day pending release period
 - ④ Registrars required to register domain name in the name of the party requesting the registration and who will be using it
 - ④ Terms and Conditions for registrants must be approved by the DNC
 - ④ Prohibits notices to registrants that appear as a renewal notice, or specify particular domain names

Key features contd

- Features also for registrars
 - ④ Flexibility of one month to 120 month registrations
 - ④ Billing period defaults to one month after transaction
 - ④ Five day registration and renewal grace periods
 - ④ Not required to accept transfers
 - ④ Sanctions can be imposed on registrars who breach .nz policies and procedures
 - ④ Professional liability insurance taken out to cover the market, incorporates all authorised registrars

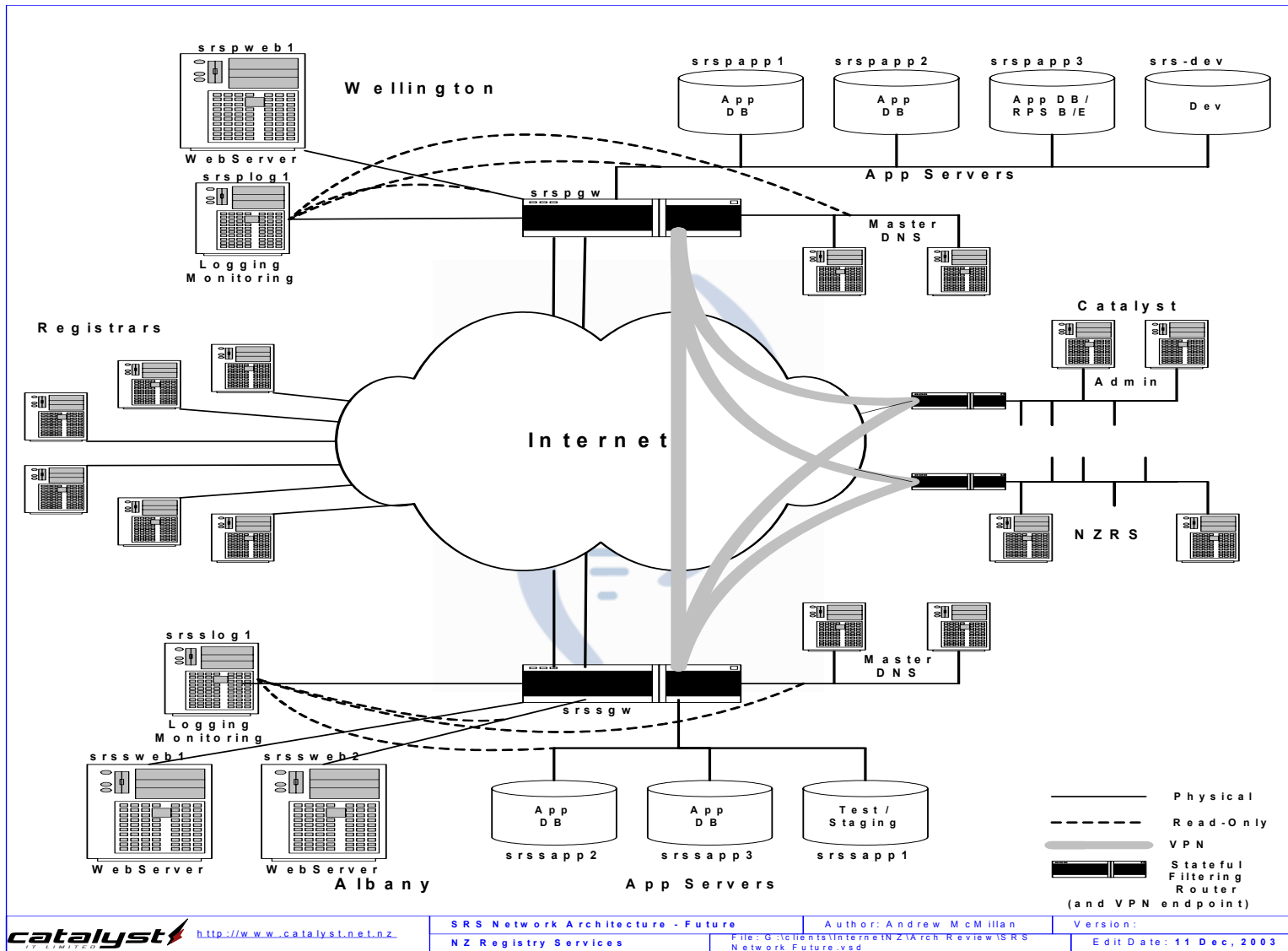
SLA with NZRS

- ④ Includes performance standards
- ④ 99.9% system availability
- ④ Response times for key transactions
- ④ Response times for responding to faults, queries, requests
- ④ Reporting requirements
- ④ Reported against monthly by NZRS to the DNC
- ④ Issues escalated to NZOC by DNC if required

NZOC

Responsibilities include:

- ④ Delegated responsibility by InternetNZ Council to have formal oversight of .nz
- ④ Approve budget of DNC (funded by management fee charged to NZRS)
- ④ Set .nz policy and procedures
- ④ Manage the performance of the DNC
- ④ Overall responsibility for compliance of registrars, enforcing serious sanctions and ensuring SLA with NZRS met



Shared Registry System (SRS) Update

- System Availability 9 of the previous 12 months over 99.9%
- Launch of 21d .geek.nz
- Growth from 116,000 to 145,500 since October 2002
- 44 Registrars
- Domain Name fee to change to NZ\$1.75 per month
- Publishing of the SRS as Open Source
 - <http://sourceforge.net/projects/dnrs>

NZRS Looking Forward

- ④ Ongoing modifications to the SRS and a commitment to Open Source.
- ④ RFI/RFP for outsourcing services
- ④ Preparing to add IPV6 glue to SRS
- ④ Implementing TSIG
- ④ Investigating DNSSEC

.nz Policies currently under review by DNC

- Dispute Resolution
- 21d Policy Review
- Zone transfer Policy review



Websites

- ④ Domain Name Commissioner
 - ④ www.dnc.org.nz
- ④ InternetNZ
 - ④ www.internetnz.net.nz
- ④ NZ Registry Services
 - ④ www.nzrs.net.nz
- ④ SRS Open source
 - ④ <http://sourceforge.net/projects/dnrs>