

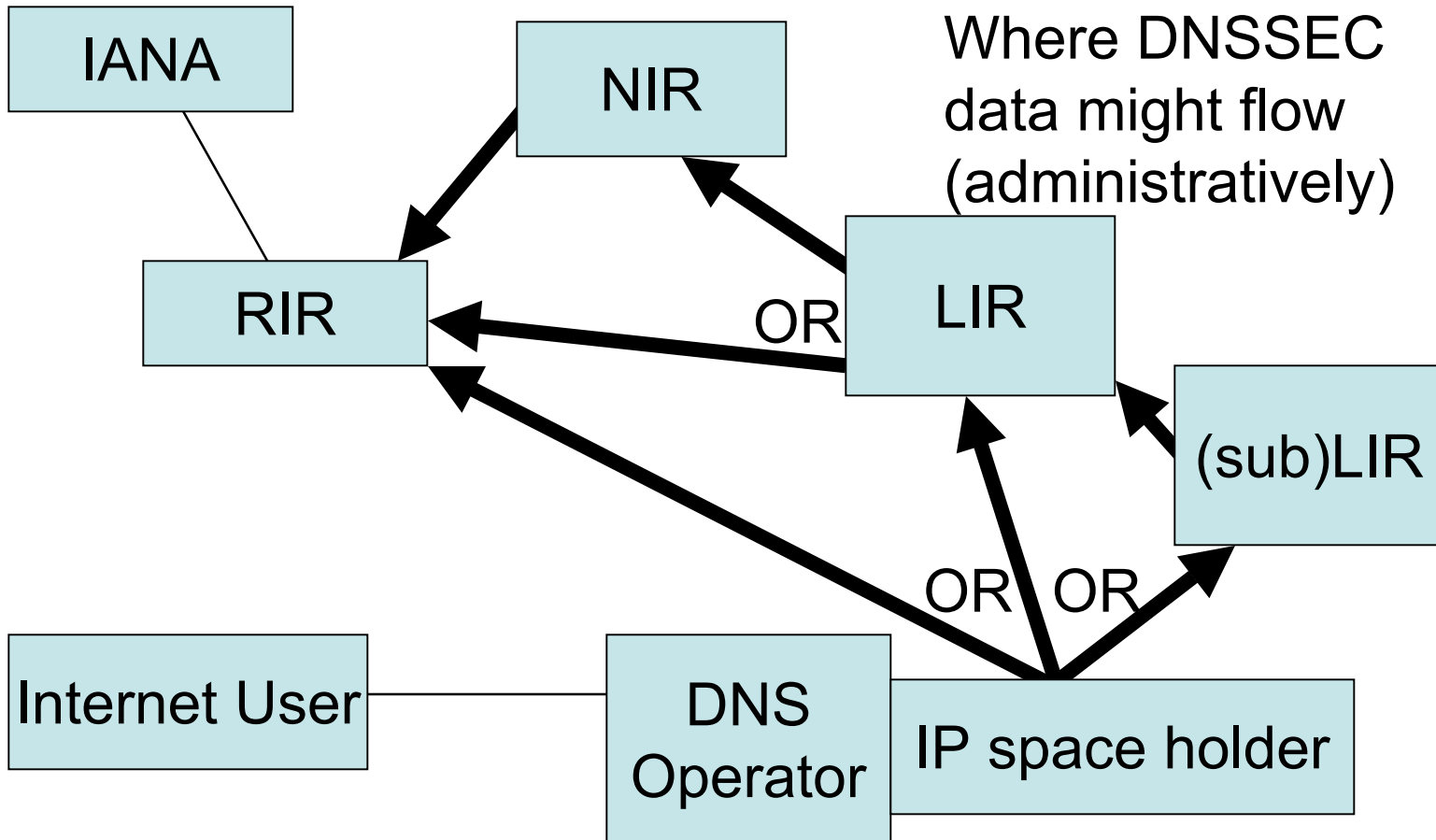
DNSSEC, APNIC, & how EPP might play a Role

Ed Lewis
DNS SIG
APNIC 21

Agenda

- Reverse Map Interfaces
- EPP and Number Registries
- DNSSEC and Number Registries
- EPP extensions for DNSSEC
- Passing DNSSEC Data
- Quick Demo

Reverse Map environment



EPP and Number Registries

- EPP (RFC 3730+) written for ICANN-style registrars and registries
 - "Business to business"
- Potentially helpful to RIRs
 - Marginal benefit, not worth the change
- DNSSEC interface might suggest a look
 - Maybe, maybe justifies use by the RIRs

DNSSEC

- Adds secure records to DNS
 - RFC 4033-4035
 - Parent will have to publish DS records
- RIPE NCC has signed their zones
 - Open for RIPE IP range holders
- DNSSEC DS RRset is posted to RIPE
 - Via a "ds-rdata" attribute

EPP-DNSSEC

- RFC 4310
- Adds a means to transfer DNSSEC administrative data via the provisioning interface for domains
 - DS or DNSKEY
 - Request max signature time
- An extension to EPP's base definition

Passing DNSSEC Data

- Increased frequency
 - Not a "one time set up", a recurring relationship
- Increased bulk
 - DS records have quite a few "random" characters, hard to type correctly

Quick Demo

- This was used to update the RFC prior to publication
- "Shows" more than "does", but shows it works

Window Layout

